



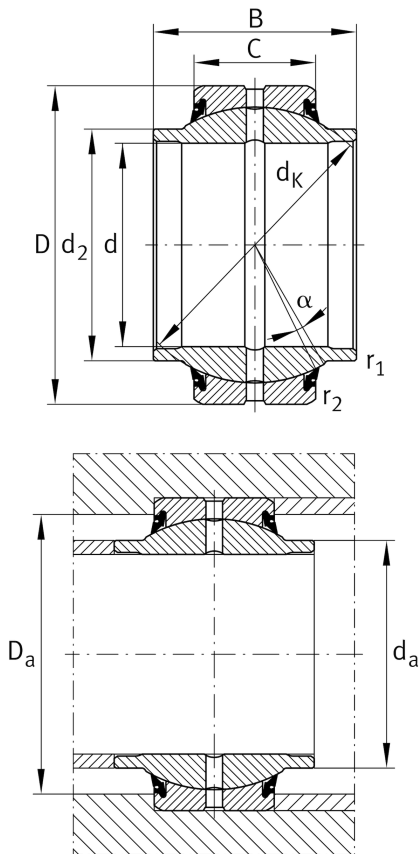
GE45-HO-2RS

Spherical plain bearing

Schaeffler ID:
0066531460000

Radial spherical plain bearing, requiring maintenance, sliding contact surface: steel/steel, cylindrical extensions on inner ring, sealed

Technical information



Main Dimensions & Performance Data

| | | |
|----------|-----------|-----------------------------------|
| d | 45 mm | Bore diameter bearing |
| D | 68 mm | Outside diameter bearing |
| B | 40 mm | Width Inner ring |
| C_r | 128,000 N | Basic dynamic load rating, radial |
| C_{0r} | 639,000 N | Basic static load rating, radial |
| | 0.432 kg | Weight |

Dimensions

| | | |
|-------------|----------------|--|
| C | 25 mm | Width Outer ring |
| d_K | 60 mm | Ball diameter |
| α | 3 ° | Tilt angle |
| r_{1smin} | 0.3 mm | Edge Spacing |
| r_{2smin} | 1 mm | Edge Spacing |
| d_{OT} | 0 mm | Bore diameter bearing, upper tolerance |
| d_{UT} | -0.012 mm | Bore diameter bearing, lower tolerance |
| D_{OT} | 0 mm | Outside diameter, upper tolerance |
| D_{UT} | -0.013 mm | Outside diameter, lower tolerance |
| B_{OT} | 0.3 mm | Width inner ring, upper tolerance |
| G_r | 0,06 - 0,12 mm | Radial Clearance |
| B_{UT} | -0.3 mm | Width inner ring, lower tolerance |
| C_{OT} | 0 mm | Width outer ring, upper tolerance |

Mounting dimensions

| | | |
|-------------|---------|-------------------------------|
| $d_{a max}$ | 51.5 mm | Connection measure Inner ring |
| $D_{a min}$ | 57 mm | Housing Connection Diameter |

Temperature range

| | | |
|-----------|--------|----------------------------|
| T_{min} | -30 °C | Operating temperature min. |
| T_{max} | 130 °C | Operating temperature max. |